

Chameleon[®] 3

FLEXIBLE FORM FACTOR + USB3 VISION

- **Boxed and board level available**
- **On-camera image processing: color interpolation, gamma, and LUT**
- **16 MByte frame buffer; LED status indicator**

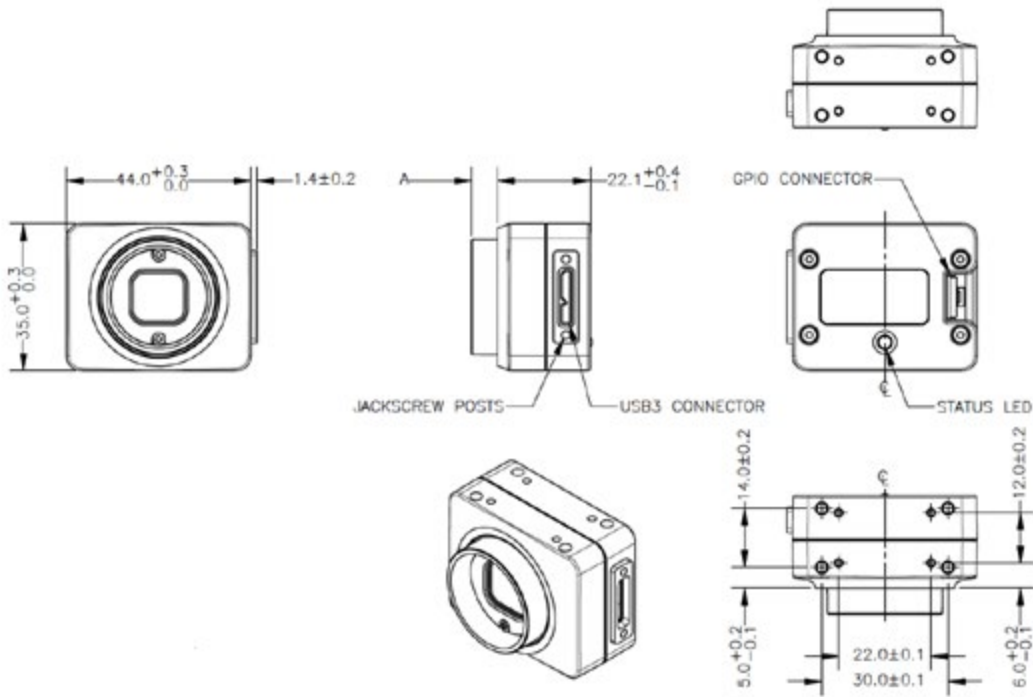
POINT GREY
Innovation in Imaging



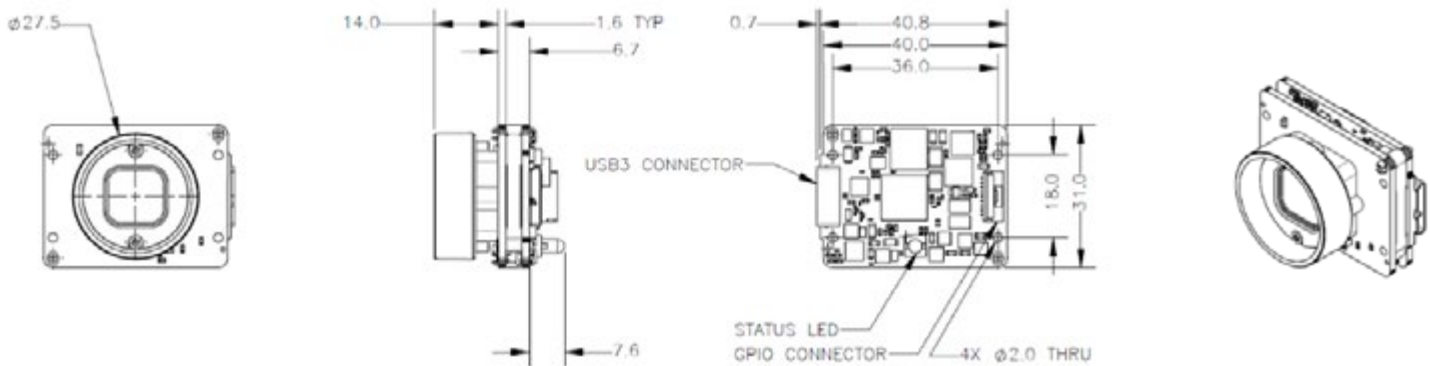
CM3-U3-28S4 Specifications

	CM3-U3-28S4M	CM3-U3-28S4C
Firmware	1.3.3.0	1.3.3.0
Resolution	1928 x 1448	1928 x 1448
Frame Rate	13 FPS	13 FPS
Megapixels	2.8 MP	2.8 MP
Chroma	Mono	Color
Sensor	Sony ICX818, CCD, 1/1.8"	Sony ICX818, CCD, 1/1.8"
Readout Method	Global shutter	Global shutter
Pixel Size	3.69 μm	3.69 μm
Lens Mount	CS-mount	CS-mount
ADC	12-bit	12-bit
Gain Range	-8.341 dB to 23.991 dB	-8.341 dB to 23.991 dB
Exposure Range	0.064 ms to 31.9 seconds	0.064 ms to 31.9 seconds
Trigger Modes	Standard, bulb, low smear, overlapped, multi-shot	Standard, bulb, low smear, overlapped, multi-shot
Partial Image Modes	Pixel binning, ROI	Pixel binning, ROI
Image Processing	Gamma, lookup table, and sharpness	Gamma, lookup table, hue, saturation, and sharpness
HDR Sequencing	4 x exposure, 4 x gain (Firmware: 1.10.3.0)	4 x exposure, 4 x gain (Firmware: 1.10.3.0)
Image Buffer	16 MB	16 MB
User Sets	2 memory channels for custom camera settings	2 memory channels for custom camera settings
Flash Memory	1 MB non-volatile memory	1 MB non-volatile memory
Opto-isolated I/O Ports	1 input, 1 output	1 input, 1 output
Non-isolated I/O	2 bi-directional	2 bi-directional
Auxiliary Output	3.3 V, 150 mA maximum	3.3 V, 150 mA maximum
Interface	USB 3.0	USB 3.0
Power Requirements	5 - 24 V via GPIO or 5 V via USB 3.0 interface	5 - 24 V via GPIO or 5 V via USB 3.0 interface
Power Consumption	<3 W maximum	<3 W maximum
Dimensions/Mass	44 mm x 35 mm x 19.5 mm (case enclosed); 40 mm x 31 mm (board level) / 54.9 g (cased) / 27.9 g (board level)	44 mm x 35 mm x 19.5 mm (case enclosed); 40 mm x 31 mm (board level) / 54.9 g (cased) / 27.9 g (board level)
Machine Vision Standard	USB3 Vision v1.0	USB3 Vision v1.0
Compliance	CE, FCC, KCC, RoHS	CE, FCC, KCC, RoHS
Temperature	Operating: 0° to 45°C Storage: -30° to 60°C	Operating: 0° to 45°C Storage: -30° to 60°C
Humidity	Operating: 20% to 80% (no condensation) Storage: 20% to 95% (no condensation)	Operating: 20% to 80% (no condensation) Storage: 20% to 95% (no condensation)
Warranty	3 years	3 years

Metal Case



Board Level



CANADA (Headquarters)

Point Grey Research, Inc.

12051 Riverside Way
Richmond, BC, Canada
V6W 1K7

T: +1 866.765.0827 (toll free)
T: +1 604.242.9937
F: +1 604.242.9938
E: sales@ptgrey.com
www.ptgrey.com

EUROPE

T: +49 7141 488817-0
F: +49 7141 488817-99
E: eu-sales@ptgrey.com
eu.ptgrey.com

CHINA

T: +86 10 8215 9938
F: +86 10 8215 9938 x809
E: chinasales@ptgrey.com
www.ptgreychina.com

ASIA

E: asia-sales@ptgrey.com

DISTRIBUTORS

JAPAN–ViewPLUS Inc. (www.viewplus.co.jp)

–Kyoshin Communications Inc. (www.kycom.co.jp)

KOREA–CYLOD Co., Ltd. (www.cylod.com)

CHINA–LUSTER LightVision (www.lusterinc.com)

SINGAPORE, THAILAND, MALAYSIA–Voltrium Systems (www.voltrium.com.sg)

TAIWAN–Apo Star Co., Ltd. (www.apostar.com.tw)

–SURE Technology Corporation (www.surevision.com.tw)

UNITED KINGDOM AND IRELAND–ClearView Imaging (www.clearviewimaging.co.uk)